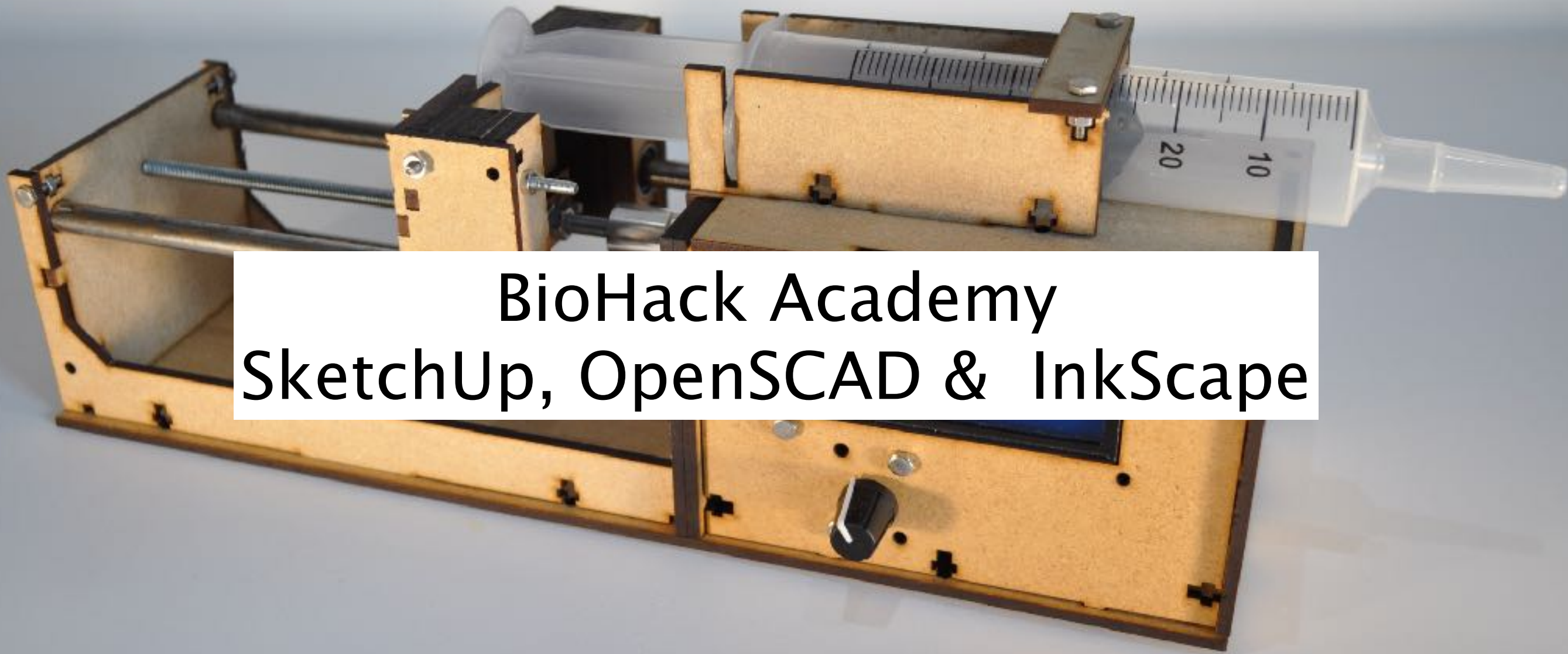




waag society

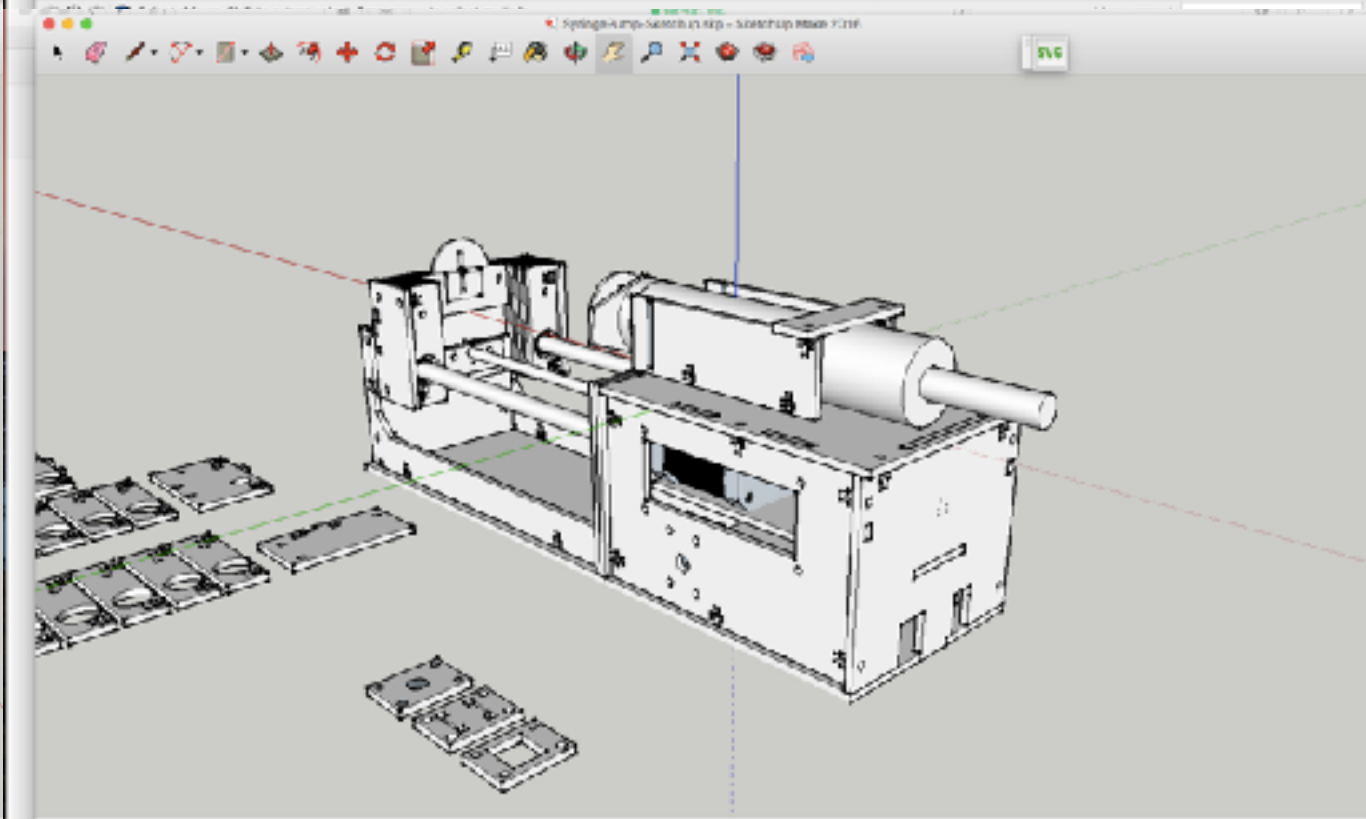
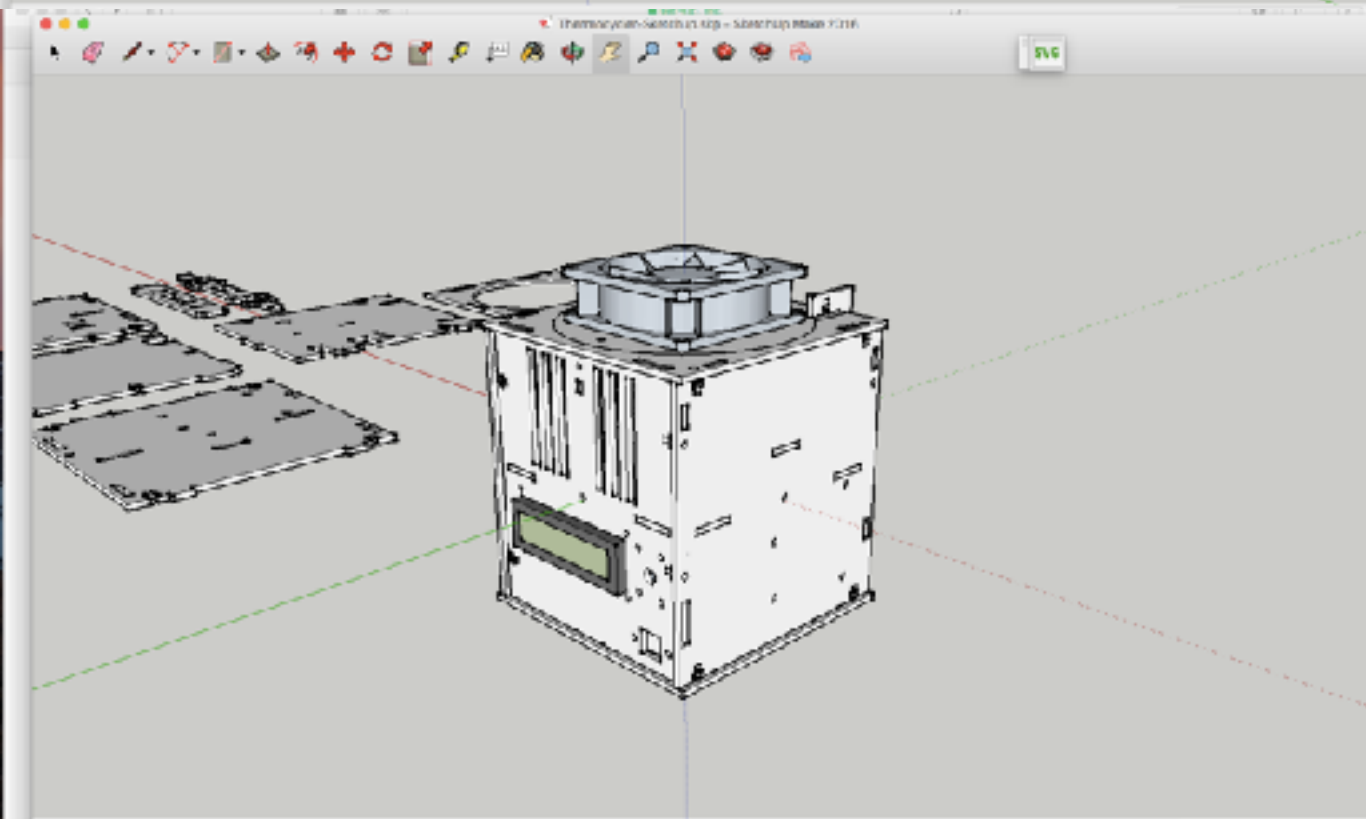
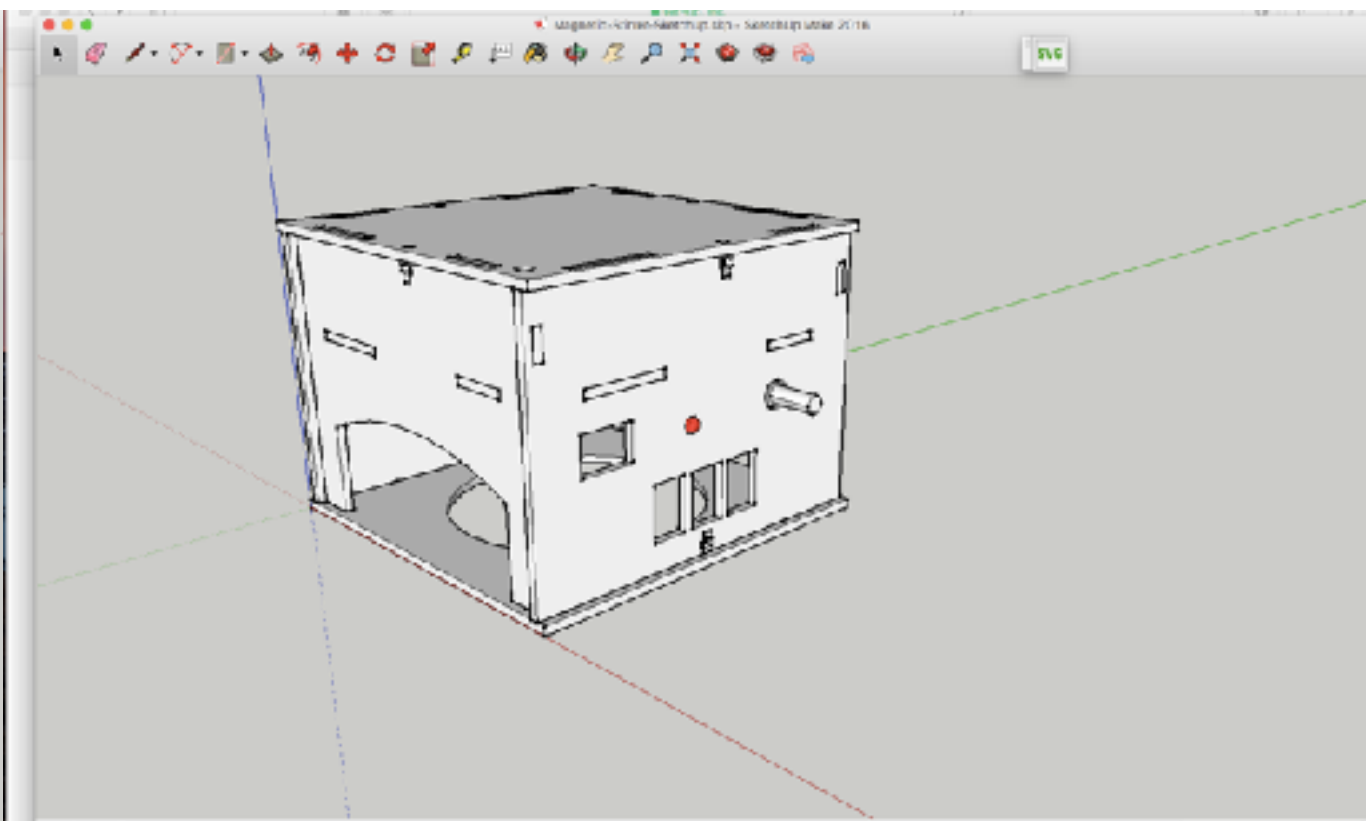
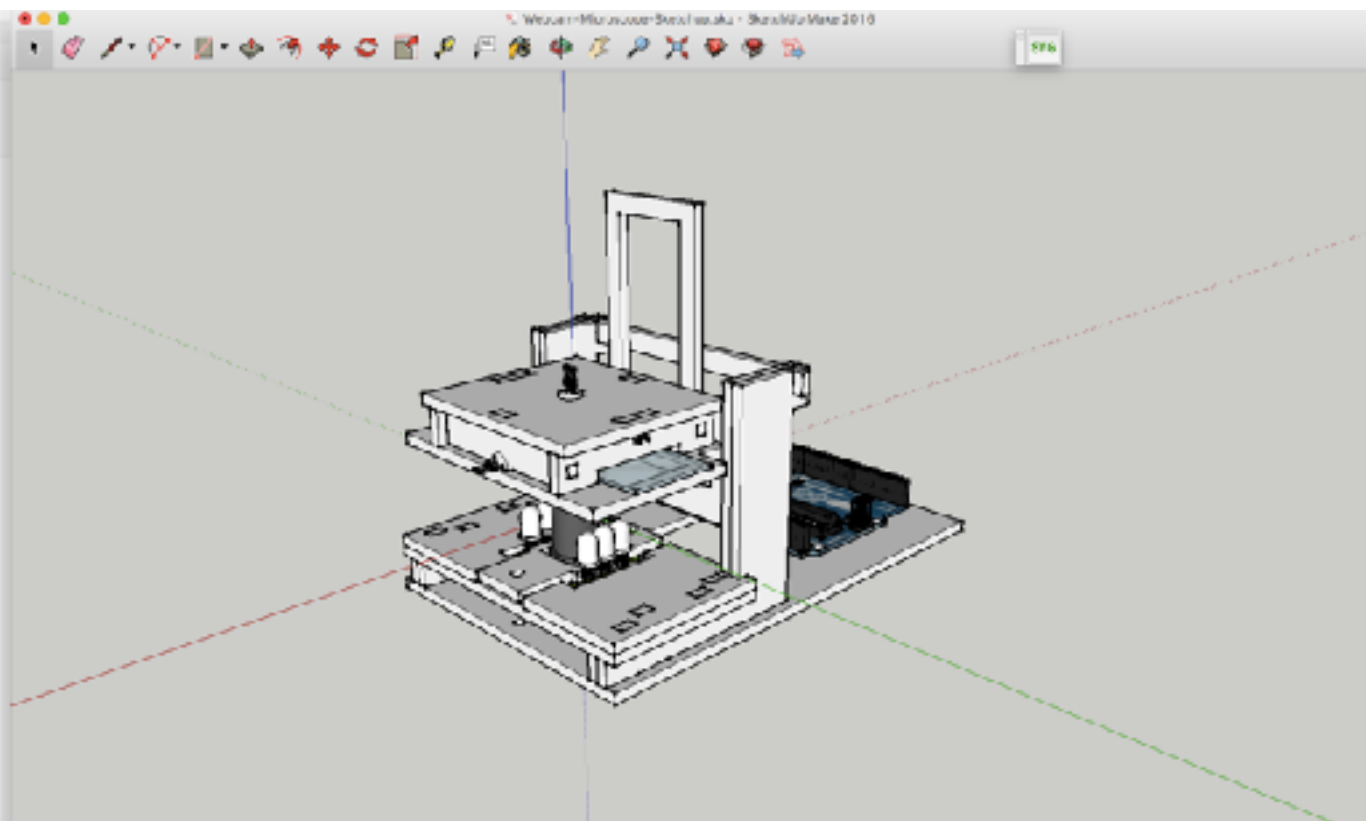
institute for art, science and technology



**BioHack Academy
SketchUp, OpenSCAD & InkScape**

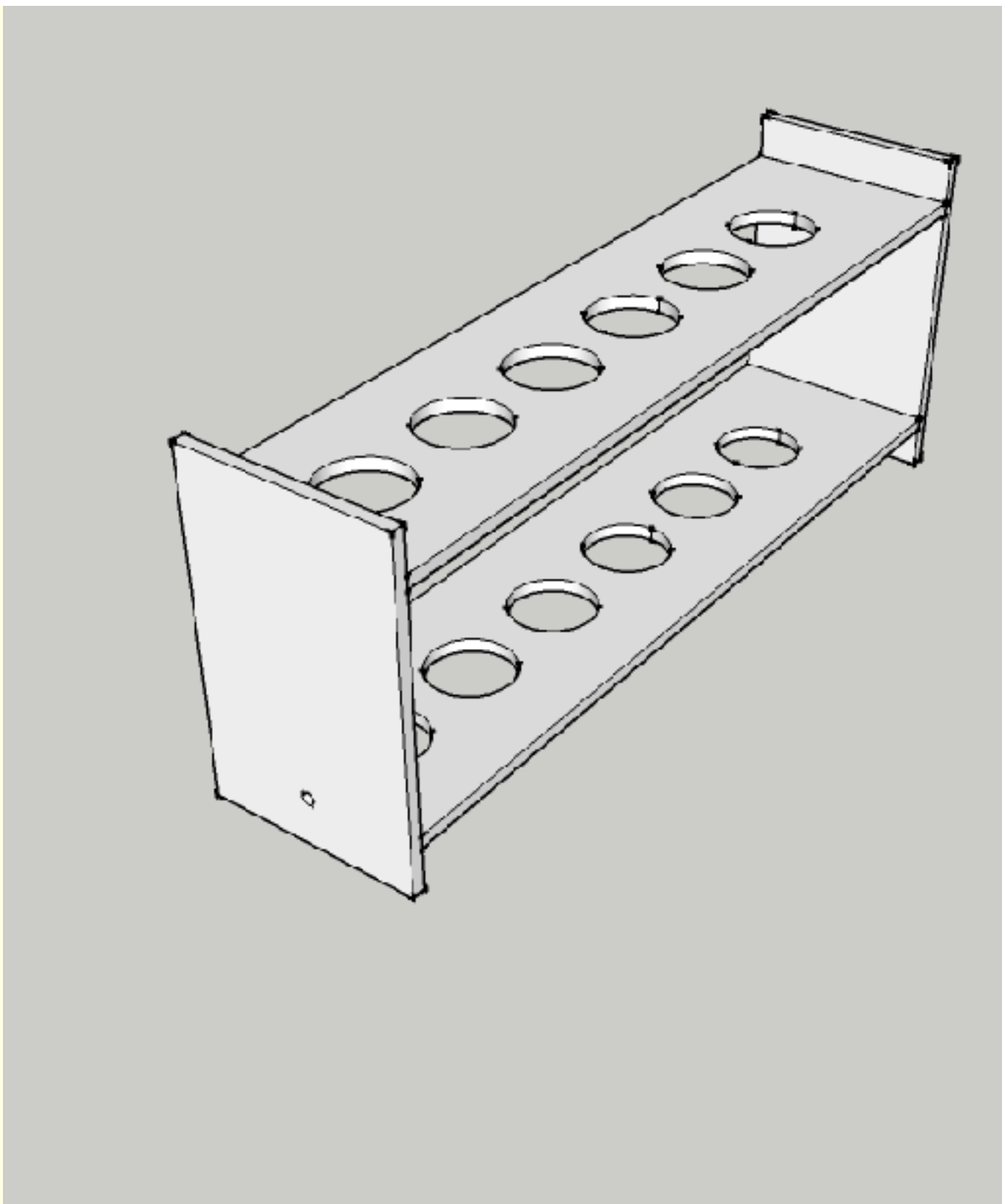
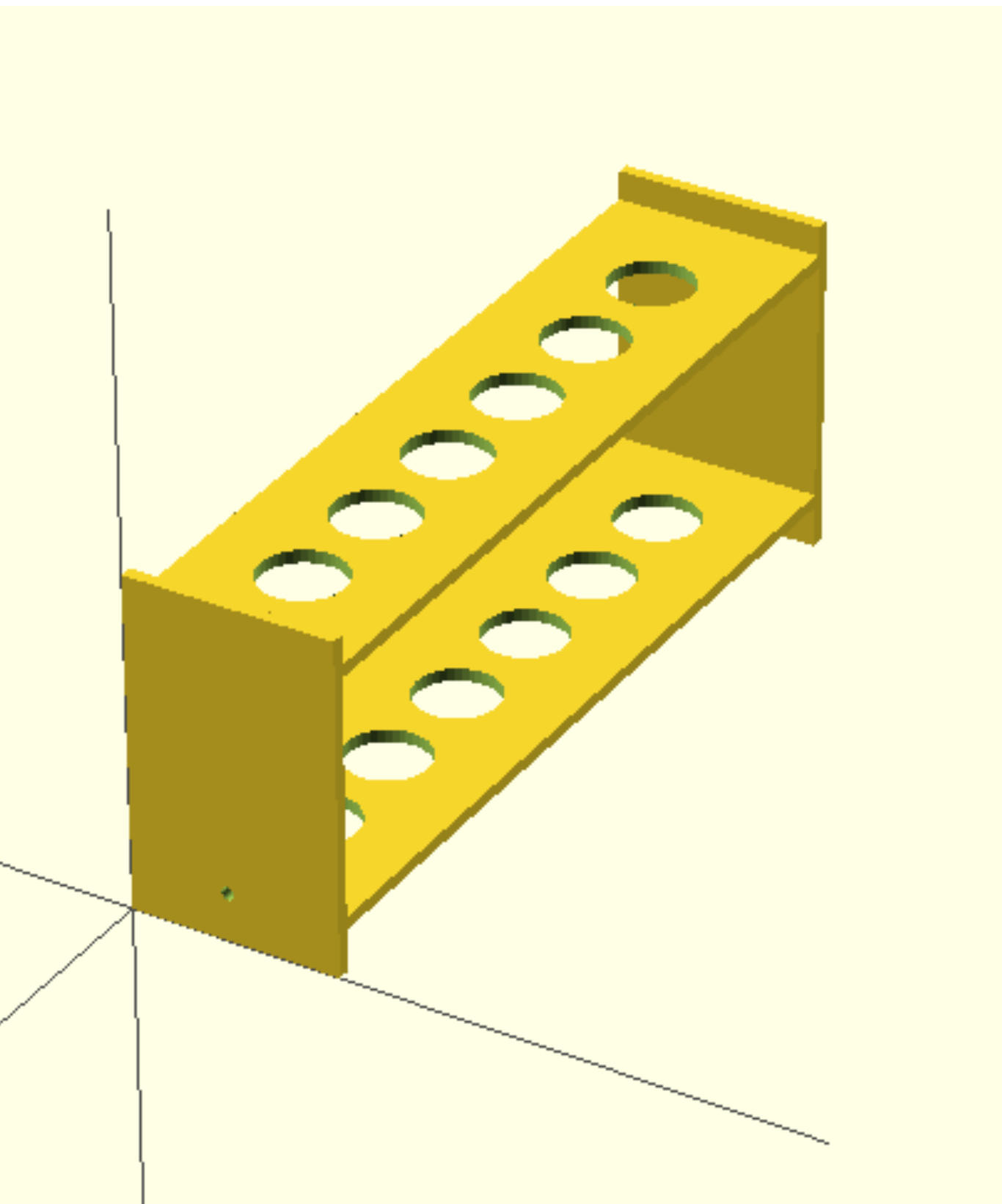


Hacking designs





SketchUp vs OpenSCAD





Instruction videos



BioHack Academy

[Classes](#)

[Discuss](#)

[Organisms](#)

[Participants](#)

[Repos](#)



Class 1 - Introduction

Synopsys

You are at the start of your journey into the marvelous world of Biohacking. To give you a better insight into what that exactly means, we will start with a short history of Biohacking. Next, we will show you how to design objects in 2D and 3D and transform them into real objects with a lasercutter or 3D printer. During the lab days as a demo we will make basic lab utilities, such as tube racks. Finally, we will take a first look at electronics.

Schedule

- Introduction
- History of Biohacking
- Biosafety & Maker ethics
- 3D Design
- Sterile Hood Design
- Practicals
 - Tour around your lab
 - Digital Fabrication / 3D CAD Design
 - Sketchup Box Demo video
 - Sketchup Box Demo file
 - Tube Rack Sketchup Demo file
 - Tube Rack OpenSCAD Demo file
 - Sketchup SVG Export video

<http://biohackacademy.github.io/bha6/class/1/>



**some
rights
reserved**